

Premium Preparation 2000 mm Passthrough Worktop Cupboard

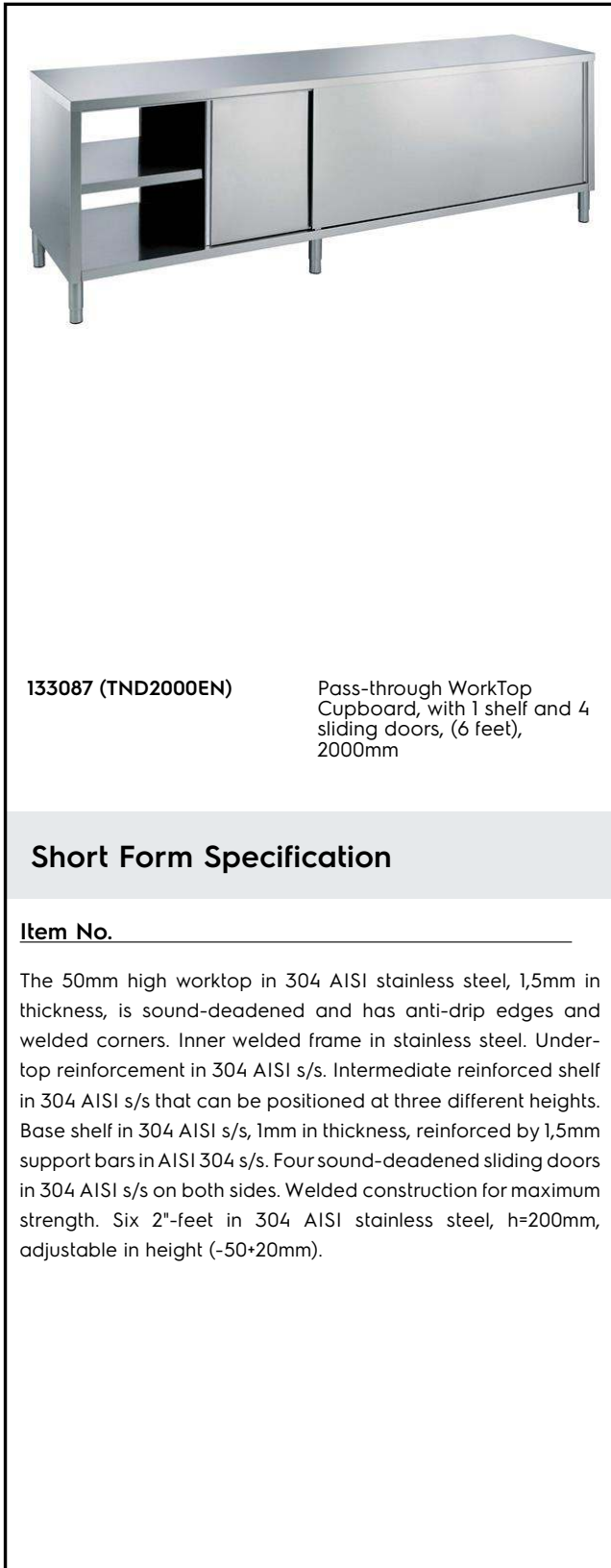
ITEM # _____

MODEL # _____

NAME # _____

SIS # _____

AIA # _____


133087 (TND2000EN)

 Pass-through WorkTop
 Cupboard, with 1 shelf and 4
 sliding doors, (6 feet),
 2000mm

Short Form Specification

Item No. _____

The 50mm high worktop in 304 AISI stainless steel, 1,5mm in thickness, is sound-deadened and has anti-drip edges and welded corners. Inner welded frame in stainless steel. Under-top reinforcement in 304 AISI s/s. Intermediate reinforced shelf in 304 AISI s/s that can be positioned at three different heights. Base shelf in 304 AISI s/s, 1mm in thickness, reinforced by 1,5mm support bars in AISI 304 s/s. Four sound-deadened sliding doors in 304 AISI s/s on both sides. Welded construction for maximum strength. Six 2"-feet in 304 AISI stainless steel, h=200mm, adjustable in height (-50+20mm).

Main Features

- Worktop cupboard can be mounted on 125 mm diameter castors (2 with brakes) using the optional accessory kit.
- Handles in stainless steel for better hygiene and reliability.
- Sturdiness, stability and reliability of table accurately tested.

Construction

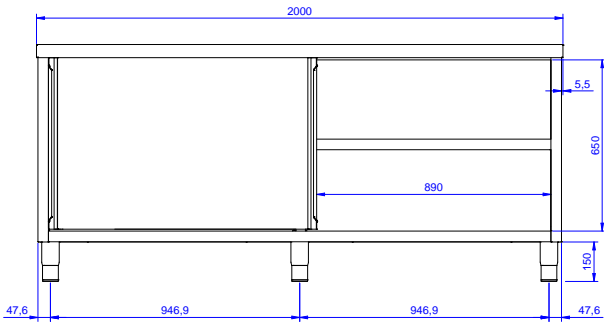
- Inner welded frame in stainless steel to guarantee superior strength and stability.
- Base panel has 40mm high profile, is 8/10 in thickness with upturned edges and bar reinforcement. It is welded to legs for further structure reinforcement.
- Base panel in AISI 304 stainless steel, 10/10 in thickness reinforced by 15/10 support bars in AISI 304.
- Intermediate shelf in stainless steel with riveted corners and trasversal reinforcement in stainless steel.
- 100 mm upstand with 10 mm radioused corner and 13 mm deep, designed to be used against a wall.
- Heavy duty construction entirely in AISI 304 stainless steel to offer maximum durability.
- 304 AISI stainless steel feet, 150 mm high and 54 mm in diameter, adjustable by -35/+25 mm.

Optional Accessories

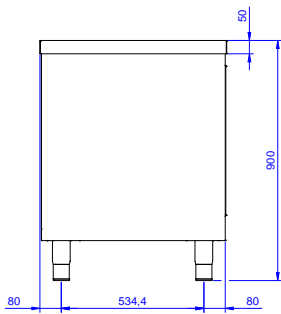
- Wheel kit for cupboards, 4 PNC 855299 wheels (2 with brakes), D=100 mm

APPROVAL: _____

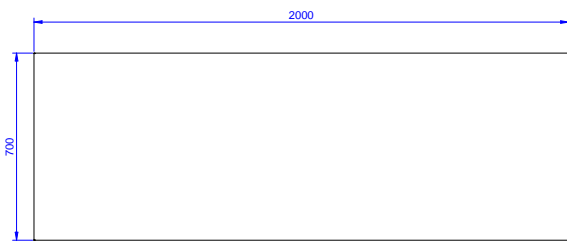
Front



Side



Top



Key Information:

| | |
|----------------------------------|-----------|
| Cabinet width: | |
| 133087 (TND2000EN) | 1945 mm |
| Cabinet depth: | 604 mm |
| Cabinet height: | 610 mm |
| External dimensions, | |
| Width: | 2000 mm |
| External dimensions, | |
| Depth: | 700 mm |
| External dimensions, | |
| Height: | 900 mm |
| Number and type of doors: | 4 Sliding |
| Worktop thickness: | 50 mm |
| Net weight: | 75 kg |